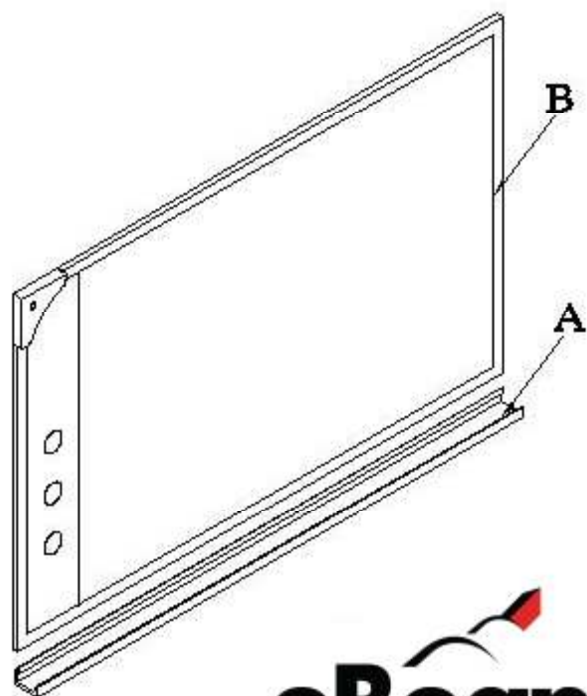
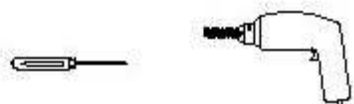


NOT INCLUDED
NO INCLUIDOS
NON INCLUS
NICHT MITINGESCHLOSSEN



eBeam[®]
integral

Fig 1

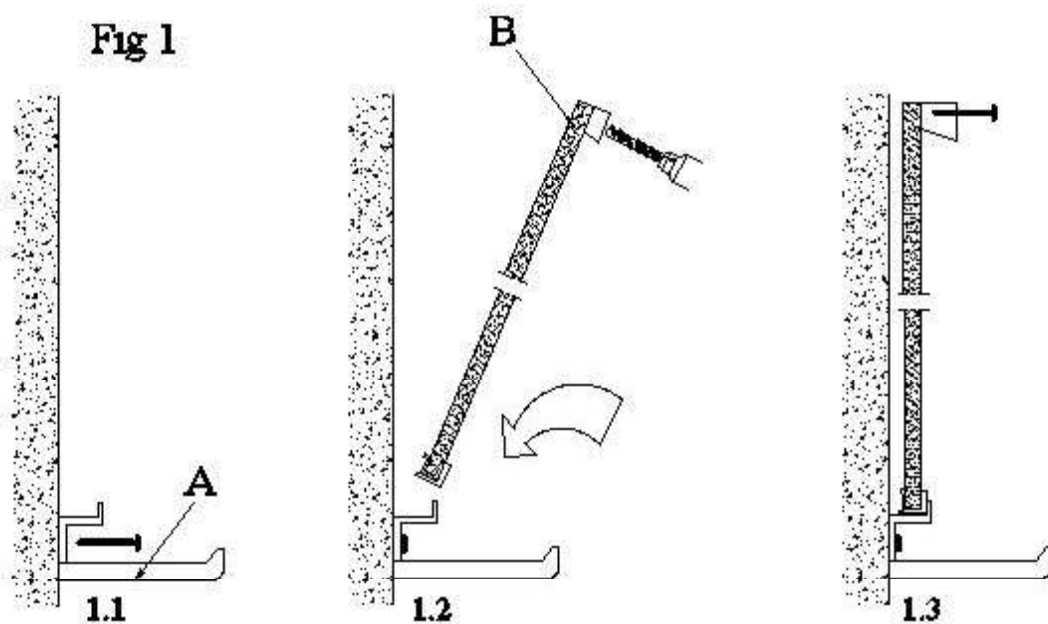


Fig 2

